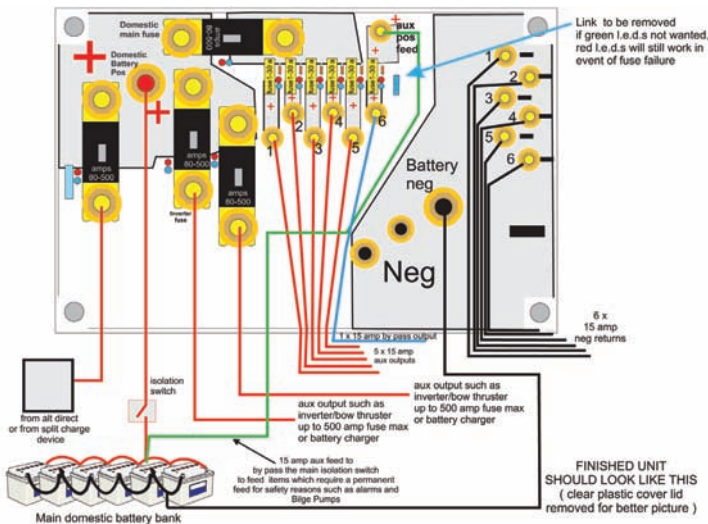
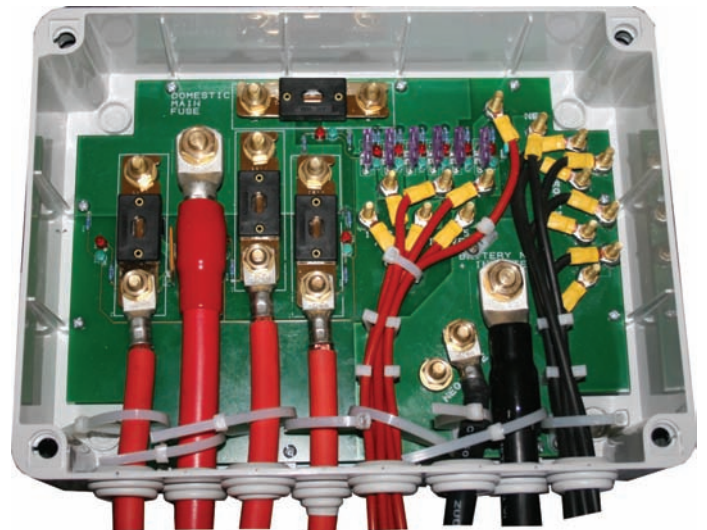




The **easy** way to a fully compliant **professional** installation

Lift up the covers on many battery compartments and your immediate thought might be of a plate full of tangled spaghetti! Too many cables on overloaded terminals with inadequate identification or fuse protection - at best it's a nightmare to service but can easily lead to electrical faults and, at worst, a potential fire hazard.

ProPower Distribution is a single connection point to which all DC cables can be terminated instead of taking them all to the battery. As a pre-assembled unit it means that you don't need to fiddle around to provide fuses for each cable and there are only two cables you need to run to the battery bank. Each connection is identified and easy to access once the transparent waterproof lid is removed. LED indicators show if a circuit is healthy or if a fuse has blown at a single glance.



For the DIY installer this means that you can be sure to achieve a professional and safe installation where, for the professional fitter or boat builder there are significant time savings to be made and one component to order where ten or more would have otherwise been necessary.

The **ProPower** Distribution board is supplied with a main fuse for secondary DC circuits (lights, pumps and other domestic services) five sub circuits for items like engine room lights, alarms and so on, and a maintained supply for a bilge pump or similar. Three further ways are provided (fuses supplied separately) for alternator, battery charger and, for example, an inverter. All negatives connect back to the unit and a pair of cables connect to your battery bank.

Quick and easy to fit, **ProPower** Distribution is waterproof once the lid is on so can be accommodated in the most hostile environment. It saves time, money and ensures your installation is safe, durable and fully compliant with regulations.

Fuse	Code
80 amp	GANL80
100 amp	GANL100
150 amp	GANL150
200 amp	GANL200
250 amp	GANL250
300 amp	GANL300
350 amp	GANL350
400 amp	GANL400
500 amp	GANL500

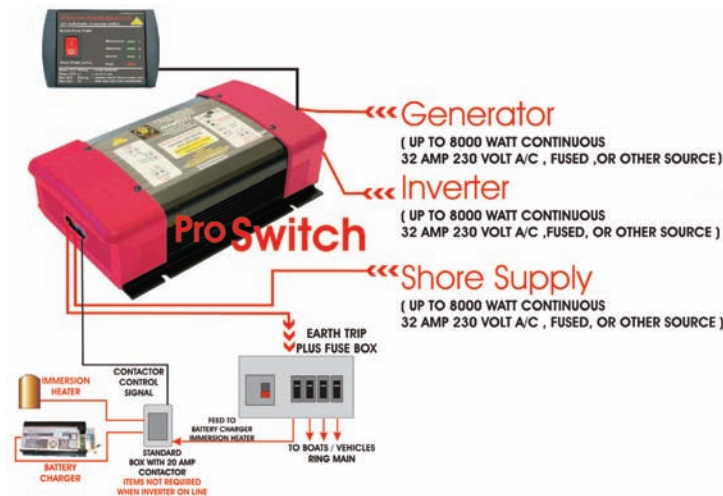
D/C High Powered Fused Distribution		
Size	Weight	Code
300x220x120mm	1.5kg	DCDIS



The *simple* way to manage *multiple* power sources

ProSwitch is a fully automatic AC power selector switch with load shedding facility. Suitable for use in systems with two or three AC power sources such as shore, generator and inverter, ProSwitch can manage up to 32A (equivalent of up to 8kVA generator capacity). Sequential switching will use channel 1 if available then channel 2 followed by channel 3 so you can dictate which source gets priority. It is normally assumed that your inverter will be connected to channel 3.

An output signal is provided that will operate an external contactor (supplied separately) to shed unwanted loads like an immersion heater or battery charger, when running from Inverter (channel 3) so that your batteries are not used up unnecessarily.



Switching time of 25mS or less prevents voltage spikes that could otherwise harm sensitive equipment and prevents temporary power loss to the likes of computers and audio/visual equipment.

Reverse polarity check and full double pole fuse protection make **ProSwitch** one of the safest devices of this type that is available. Also, a built in 10 second delay allows your generator to run up to speed before any load is connected.

Pro switch system	
Description	Code
230/110v 32 amp auto crossover switch	AC32A
230v 20 amp contactor relay (optional)	CON1



www.sterling-power.com

Registered office:
Sterling Power Products Limited
Site 8 Wassage Way
Hampton Lovett Industrial Estate
Droitwich WR9 0NX

Tel: +44 (0) 1905 771 771
Fax: +44 (0) 1905 779 434
Email: help@sterling-power.com

Distributor: